

**DESIGN OF
PARTS AND COMPLEX
KINEMATIC SYSTEM**

SPECIFICATION



PROJECT MANAGEMENT

ADVICE & ANALYSIS

DESIGN OFFICE

In Limoges-FRANCE




**10 YEARS OF EXPERIENCE
IN AERONAUTICAL ENGINES
SERVING YOUR INDUSTRY.**

**BLUEPRINT
&
PARTS NOMENCLATURE**

GET IN TOUCH !

Antonin TESSIEREAU

 **+33 6 87 54 31 89**

 **contact@meca-sas.com**

SIRET : 91007285900010

DESIGN OF PARTS AND COMPLEX KINEMATIC SYSTEM

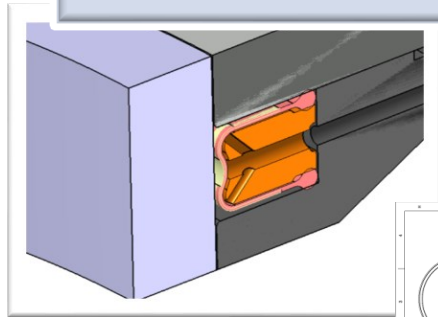
METALLIC, COMPOSITE, PLASTIC AND ELASTOMER

PRE-PROJET, 3D MODEL, PRELIMINARY & REGULAR CALCULATION, BLUEPRINT

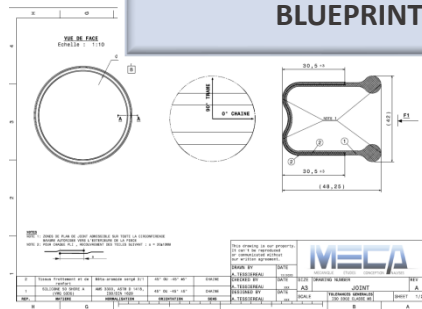
TRL / MRL SUPPORT AND QUALIFICATION TEST MONITORING

SINGLE & MULTI PROJECT MANAGEMENT

DESIGNING A SOLUTION

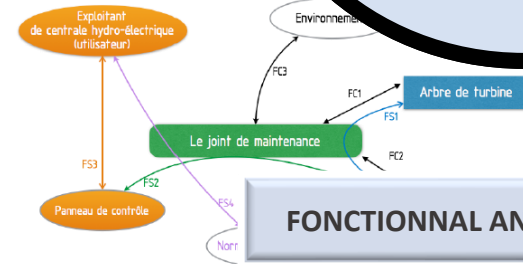


BLUEPRINT



EXAMPLE OF REALIZATION: INFLATABLE SEAL FOR A RADIAL TURBINE SEAL

- SPECIFICATIONS
- STATE OF THE ART
- FAILURE MODES AND EFFECTS ANALYSIS
- PREPARATION OF THE CALCULATION MODEL
- RECOMMENDATIONS & RISK HIGHLIGHT
- STUDY SYNTHESIS



FONCTIONNANL ANALYSIS

MECA SUPPORTS YOU THROUGHOUT ALL THE STAGES OF YOUR PROJECT



For a complete solution
From design to completion
OUR NETWORK



DASSAULT SYSTEMES
State-of-the-art CAD software
Whatever your project!